



**Product specifications**

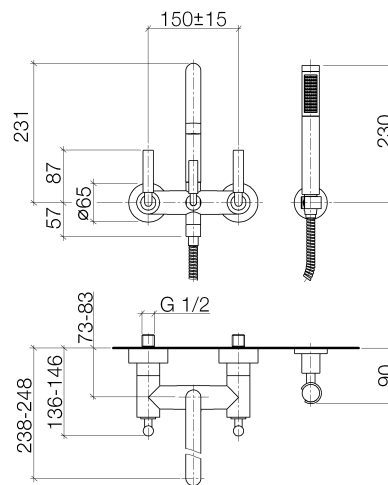
• **9-1/2" Projection**

- Spout: Round aerated stream
- Hand shower set: Standard spray
- Hand shower set with anti-scale technology
- Tub / shower diverter
- Flanges Ø 2-1/2"
- Wall bracket with flange Ø 2"
- 1/2" connection
- Center to center 5-7/8" ± 5/8"
- Metal shower hose 49-1/4" with anti-twist device
- Spout flow rate max. 6.3 gpm
- Handshower flow rate max. 2 gpm

**(ADA)**

**NOTE: Local building codes may require the use of an anti-scald device. Please refer to remote pressure balance valve (35 910 970 90) Internal backflow preventer.**

**Combination with risers possible on request (x-TRA SERVICE).**





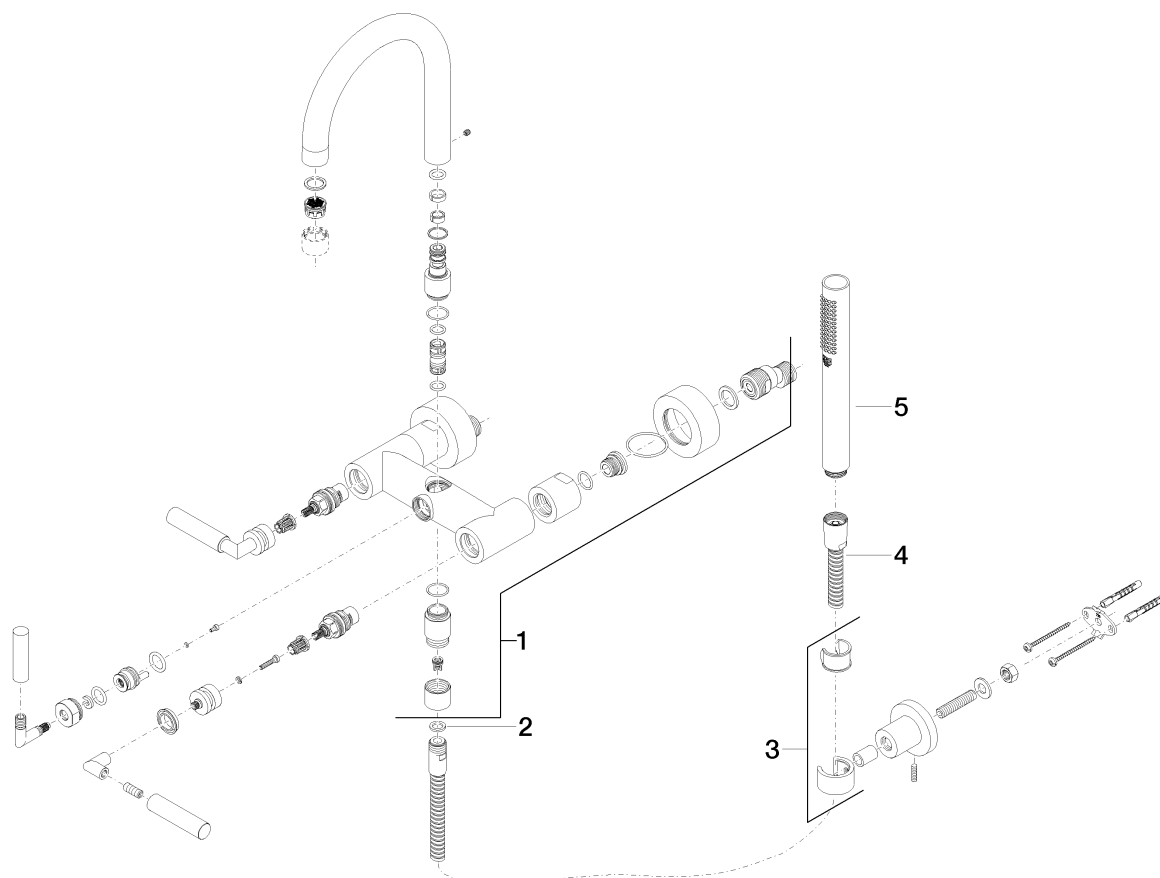
**Surfaces**

- chrome 25133882-00
- matt platinum 25133882-06
- platinum 25133882-08
- matt black 25133882-33

**Accessories required**

- Rough-in adapter; 35 080 970

**Exploded assembly drawing**





**Order quantity**

<b>No.</b>	<b>Article number</b>	<b>Name</b>	<b>Installation quantity</b>
1	25100882ff	shower set	1
2	09142002690	seal	1
3	28050892ff	holder	1
4	093002072ff	hose	1
5	28013979ff	shower	1

**Flow rate chart**

